

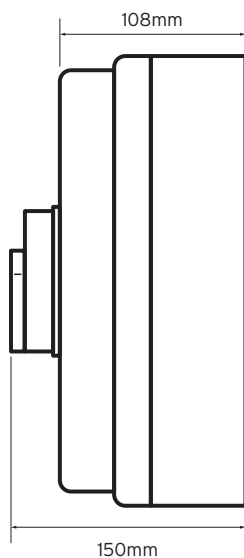
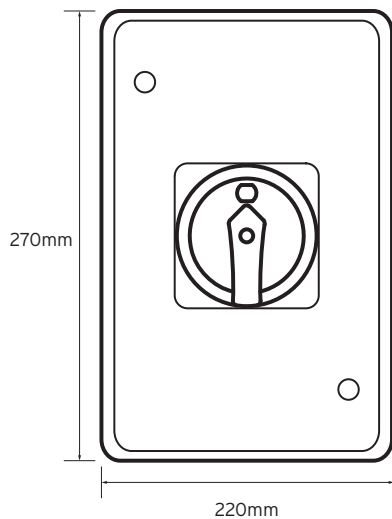


NiGLON

Industrial Accessories

ISM804P Metal Clad Rotary Isolator

Technical Drawing



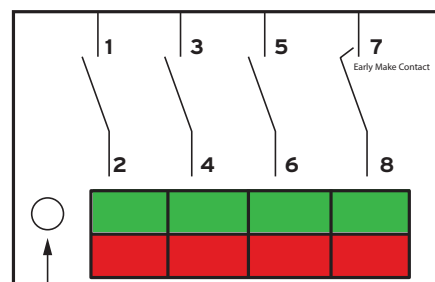
Technical Specifications

| | |
|---|-------------------|
| Standards | EN60947-3 |
| Rated Current | 80A |
| No. of Poles | 4 |
| Rated Insulation Voltage(V) | 690V |
| Rated Operating Current(A) | 80 |
| AC-22A | 80 |
| AC-23A | 80 |
| AC-3 | 63 |
| Rated Voltage(Ue) | 440V |
| Rated Power Control(KW) | 30 |
| Rated short-time withstand current(Icw) | 2000A |
| Connect Wire | 25mm ² |
| Screw Torque | 2 N.m |

Enclosure Characteristics

| | |
|--------------------------|---------------|
| Overall Dimensions HxWxD | 270x220x108mm |
| Depth with switch | 150mm |
| Degree of IP | IP54 |
| Colour | RAL7035 |

Wiring Diagram



Note 7 = Early Make Contact